

PARTS CHECK LIST FOR RIVER GUIDE

Item #	Description
A.	Rod holder
B.	Side Frame
C.	Oar Lock
D.	"D" Ring Welded on Frame
E.	Oar Lock Pins/Rings
F.	Seat Frame
G.	Oval Tube Cross Bar
H.	Steel Deck
I.	Upright Tubes
J.	"J" Hook
K.	Hole in Steel Deck
L.	Spring Loaded Valve Stem
M.	Seat Slide
N.	Standing Platform Lock Pins
O.	Padded Top Bar Section
P.	Push Buttons
Q.	Outer Pin for Securing Stripping Basket Support Bar
R.	Stripping Basket Support Bar
S.	Stripping Basket
T.	Seat Attached to Seat Frame
U.	Anchor Mount
V.	Molded Drink Holder
W.	Air Filler Valves
X.	Valve Adaptor
Y.	Pressure Release Valve
Z.	Dual Action Pump Hose

ADDITIONAL PARTS

1. Zippered Storage Bags
2. Soft Velcro Patches
3. Motor Mount
- 4.
5. Hole in anchor mount for center pulley
6. Rope Storage bag
7. Extra Pulley for Side Anchoring
8. Side Frame Tubes (front)
9. 2- position Oar Mount
10. Ratchet Cleat



ASSEMBLY INSTRUCTIONS FOR RIVER GUIDE PONTOON BOAT

BEFORE YOU BEGIN! Make sure that you have two cartons- one marked **CARTON #1** OF (2) CARTONS and **CARTON #2** OF (2) CARTONS. Now you are ready to begin.



Photo #1



Photo #2

Step #1 Open the boxes carefully and remove all of the parts from the plastic bags, being careful not to lose or misplace any parts. Also remove all of the parts, hardware and accessories from the zippered storage bags. **PLEASE PROPERLY DISPOSE OF THE PLASTIC PACKING BAGS AS THEY CAN CAUSE SUFFOCATION TO YOUNG CHILDREN.** Use caution when opening the boxes so that you do not damage the parts inside. (**See photo #1**)

Step #2 Lay all of the parts out on the ground in a clean and open area. Check the parts to ensure that all of the parts are there as shown in **Photo #2**

Step #3 STANDING PLATFORM-
Separate the parts for the standing Platform as shown in **Photo #3**.

1. Begin assembly by attaching one side of the upright section (**I**) to the steel deck (**H**) with the bolt, washer and hex nut provided. See **Photo #4**. Insert this bolt into the front hole of the bottom leg and the forward hole on the deck (**K**). The front of the deck turns up slightly and it is to be positioned onto the bottom tube of the side section in this manner. The bolt is to be inserted from the top down and bolted underneath. Do not tighten.

2. Insert "**J**" hook through rear hole in the deck and bottom tube with nut on top and washer and wing nut on bottom. Do not tighten.

3. Attach short oval tube cross bar (**G**) onto butt end tube on side section and secure by inserting two of the (8) black lock pins (**N**) provided through holes.

4. Attach other side section in same way. Be sure to fit cross bar tube onto butt end and insert lock pin to secure before attaching deck to upright. Firmly tighten front bolts now, but do not tighten the "**J**" hooks at this point.

5. Slip the padded top bar section (**O**) over the side upright tubes (**I**) and adjust to desired height by depressing push buttons (**P**) on both sides and pushing down on top bar section until push buttons are securely positioned into the desired holes. There are (**5**) holes on each side for height adjustment.

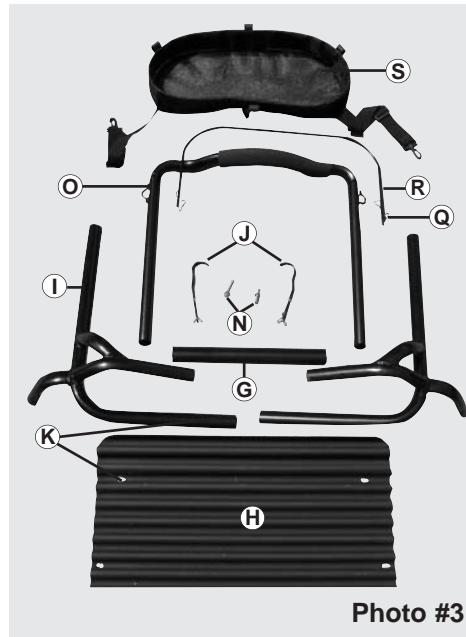


Photo #3

6. Remove outer pins (**Q**) on stripping basket support bar (**R**). Insert support bar (**R**) into holes at outer ends of top bar (**O**) in front. Reinsert pins (**Q**) to lock support bar onto top bar (**O**) (may be ring pins or straight pins).

7. Insert line stripping basket (**S**) inside and hanging down through support bar (**R**). Attach stripping apron basket to support bar (**R**) with (3) Velcro straps stitched onto stripping basket. Attach to top bar (**O**) of standing platform by wrapping (4th) strap around padded bar and securing Velcro.

8. Wrap long web straps around side tubes of standing platform and attach plastic end clips together as shown in **Photo #4**. Tighten straps by sliding buckles. When standing platform is not used the stripping basket can be removed and placed on lap while sitting in boat. The long web straps can then be wrapped round waist and adjusted for comfort by clipping snap hooks together and sliding buckles for desired fit.



Photo #4

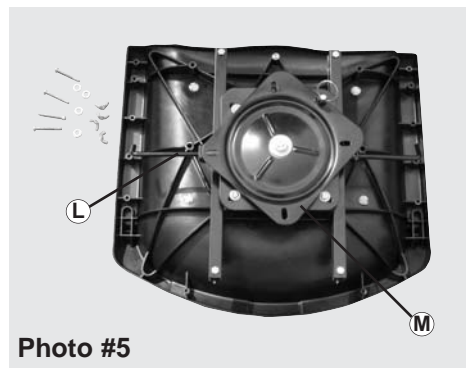


Photo #5

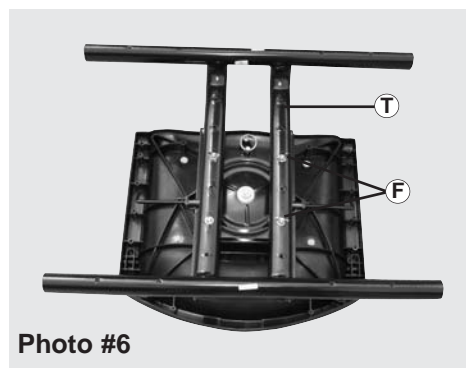


Photo #6

Step #4 Attach Seat to Slide Swivel (**M**) (See Photo #5) – First remove (4) screws in seat bottom. Then insert screws into flat square piece on slide from bottom up through holes in slide into brass fittings on seat bottom. Insert all four screws before tightening securely. Helpful hint- you can move slide forward and back by pulling out both spring loaded "L" pins to facilitate the insertion of the screws into the seat. Make sure that spring loaded locking pin with ring is facing toward the front of the seat bottom and downward.

Step #5 Attach Seat Slide With Seat Attached (**T**) To Raised Seat Frame (See Photo #6) Place seat with slide attached upside down with swivel up. Place raised seat frame on top of swivel lining up holes in swivel with holes in tubes of seat frame (**F**). There

are (6) sets of holes on seat frame for positioning seat forward or back for leveling the boat when excessive weight is added to the back or when the boat is used by a big and/or tall person. Attach seat-to-seat frame with (4) long screws, wing nuts and washers provided. Insert screws down through swivel, through holes in frame tubes and put on washers and wing nuts. See arrows on seat frame indicating forward and up position of seat frame. Do not tighten screws until all (4) screws are in place. **HELPFUL HINT!** - You may want to turn swivel to facilitate insertion of screws through holes and into seat frame. You may have to exert force to turn swivel! With all (4) screws in place and washers and wing nuts attached you can now securely tighten. **NOTE!** – Initially mount seat onto seat frame in 2nd and 4th holes from front.

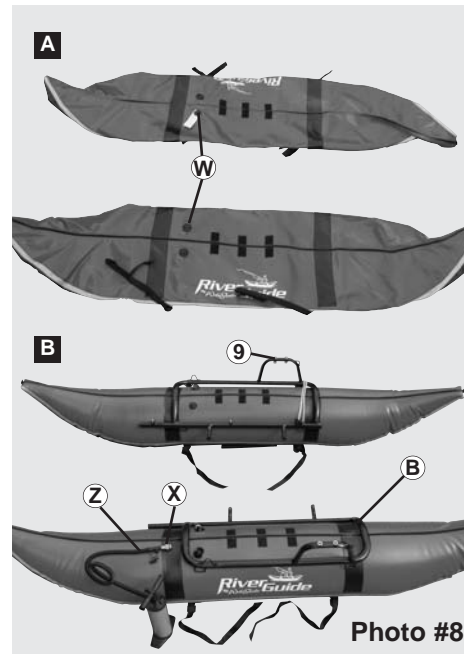
Step #6 Attach Seat Back – Remove screws (male and female) from seat back and attach seat top to seat bottom as shown in **Photo #7**. Insert male screw into female screw and securely tighten.

Step #7 Attach Black Molded Drink Holder (**V**) onto left or right arm of seat with screws provided. Insert screws up through posts in bottom of seat arm and tighten securely. See **Photo #7**.



Step #8 Inflate Pontoons – Lay pontoons out parallel with River Guide Logo on outside. See **Photo #8A** Note! There are (2) valves (**W**) on each pontoon. It is important to know that each valve inflates a separate air chamber. Each air chamber must be equally inflated with air. Do Not try to inflate the pontoon through one valve because you will be only inflating one of the air chambers. Approximate an equal amount of air in each chamber. To inflate pontoons, remove the caps on the air valves (**W**). Insert the gray valve adapter (**X**) (provided) into the end of the air hose on the dual action pump (**Z**) (provided). Insert the valve adapter (**x**) into the valve (**W**), turn to lock and fill each pontoon about 3/4 full. See **Photo #8B**. **DO NOT FULLY INFLATE PONTOONS AT THIS POINT!** Note! Before inflating pontoons it is important to check the spring loaded valve stem in the center of the valve. It must be in the "out" position when inflating. Push the valve stem in and turn to lock in the "in" position for fast, unattended deflation of pontoons.

Helpful Note! – You may quickly inflate the pontoons with a high power electric pump to the 3/4 full position by depressing the valve stem and blowing the air into the valve. Use the dual action high volume pump to top off the pontoon.





Step #9 Attach Rod Holder- Rod holder may be attached to either side frame (**B**). First remove screw from rod holder. Insert rod holder (**A**) into hole in side frame (**B**), either side. See **Photo #9** Tighten screw to secure rod holder onto frame. Rubber spacer must go between rod holder and frame tube. This allows you to adjust rod holder up or down to position rod at desired angle.

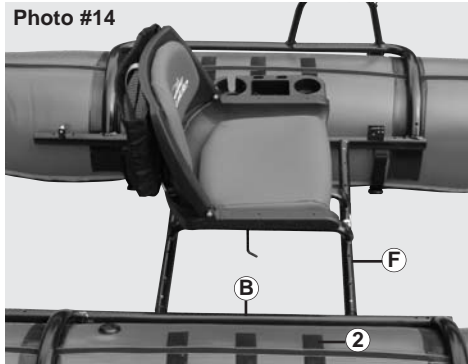
Step #10 Attach pontoons to Side Frames, First, place side frame (**B**) onto pontoon with River Guide Logo on the outside and valves (**W**) to the rear. The 2- position oar mount on the side frame is to the front (**9**). The frame section with the pulleys and anchor rope release is on the left side. See **Photo #8B**.

Strap frame onto pontoons by looping web strap up and through "**D**" ring on frame, down through bottom opening of buckle and up through top opening of buckle. Pull strap through buckle until

soft Velcro lines up with hook Velcro on web strap. Press Velcro to Velcro and loop loose end through "**D**" ring again tucking loose end down and inside strap out of the way, trim and neat. See **Photo #'s 10,11,12, & 13**. This strapping system is a unique and patented Water Skeeter feature. Attach all (4) web straps in this manner.

NOTE! Straps will fit loosely until pontoons are fully inflated.

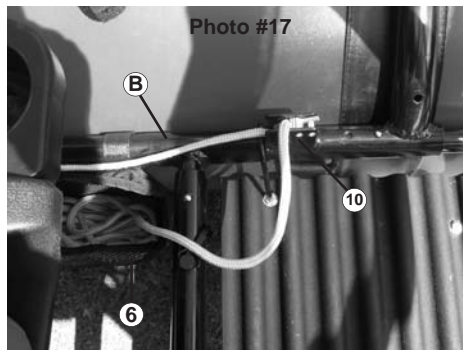
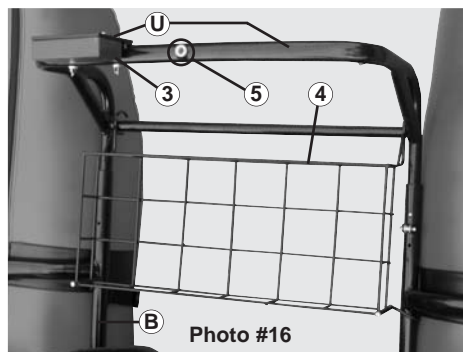




Step #11 Seat and Seat Frame Attachment – Attach seat and seat frame (**F**) to side frames (**B**) by sliding seat frame tubes evenly onto the oval butt ends of side frames until push buttons lock into outside holes. Insert the (2) black lock pins (provided) into the inside holes and lock in place (both sides) See **Photo #14 & 15**

Step #12 Attach Zippered Storage Bags (**1**) onto top of pontoons by lining up soft Velcro patches (**2**) on pontoons with hook Velcro patches on bottom of bags as shown in **Photo #15**.

Step #13 Attach Motor Mount, Anchor Mount and Raised Rear Storage Deck – First attach Motor Mount (**3**) to "U" shaped Anchor Mount with two large bolts and wing nuts as shown in **Photo #16**. The wood block faces forward.



Insert the anchor mount "U" (with motor mount (**3**) attached) into the rear frame tubes (**B**). Depress both push buttons in and push anchor mount forward until push buttons lock into 1st set of holes on frame tubes. Anchor mount may be pushed forward into 2nd set of holes for weight adjustment and load leveling. See **Photo #16**.

Attach raised rear deck (**4**) by turning "U" hooks over side frame tubes and pressing down to lock onto side frame

tubes. Rear "U" hooks lock onto bottom tubes of anchor mount as shown in **Photo #16**.

Remove black lock pins (**5**) and insert Pulley into hole in top center of anchor mount. Reinsert pin to lock pulley in place (ring pin or straight pin).

Place Gear Battery and Cooler Bag into raised deck and attach to rear deck with Velcro straps on sides of bag as shown in **Photo #15**.

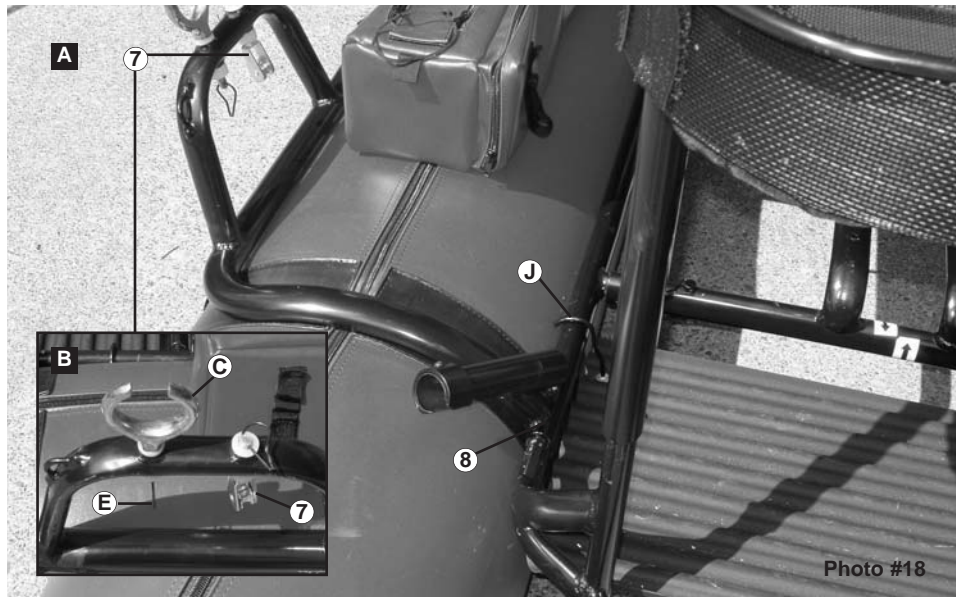


Photo #18

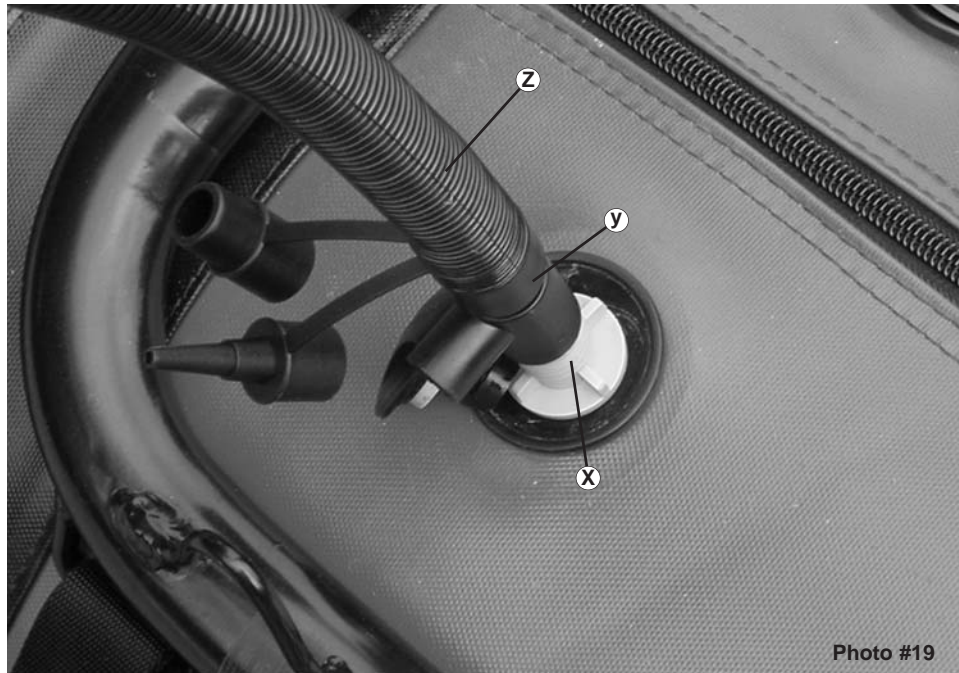
Step #14 Attach Black Mesh Anchor Rope Storage Bag (6) to left side frame (B) by wrapping Velcro straps around frame tube and securing in place. Anchor rope bag (6) attaches to frame tube behind Rope Ratchet and hangs down from frame. See **Photo #17**.

Run Anchor Rope through center pulley (5) on anchor mount "U", through side pulley on anchor mount, down and forward through two pulleys (7) on left side frame to ratchet cleat (10). See **Photo's #16, 17, 18**. Pull rope up and to the rear to disengage ratchet lever from the rope to release anchor. Pull rope up and forward to engage ratchet lever to secure rope and lock anchor in place.

Thread rope through ratchet in the following manner. Rope goes under the rear pulley of rope cleat and up between pulley and center ratchet (with teeth). Pull rope forward and under front pin. Pull rope through ratchet and place in rope bag for storage. Weight of anchor will lock ratchet onto rope. Pull rope forward to disengage ratchet from rope to release anchor. See **Photo #17**.

Step #15 Attach Standing Platform – merely slide top tubes of standing platform onto front tubes of side frames (8). You must depress the push buttons on each side while pushing evenly onto side tubes until push buttons lock into holes on side frame tubes. Make sure "J" hooks are turned inward when sliding standing platform onto side frame. Helpful Hint! – You may have to maneuver steel deck past web straps during this process. Once standing platform is locked into place, pull up on steel deck and turn "J" hooks over and onto side frame tubes. Tighten "J" hooks down onto side tubes securely by tightening nuts on bottom "J" hooks should fit snugly onto side frame tubes to support steel deck of standing platform. See **Photo # 18**.

Step #16 Remove round lock rings (pins) (E) from Oar Locks (C) and insert oar locks into rear position on oar mounts on side frames. Oar locks can be inserted in either position on oar mounts for rowing comfort and / or when leveling the load. See **Photo #18B**. Reinsert lock rings (pins).



Step #17 Fully inflate pontoons-remove gray valve adaptor (X) from pump air hose (Z). Insert black shaped Pressure Release Valve (Y) into the hose end. Then insert the gray valve adapter into the Pressure Release Valve. Insert the gray adapter into each valve on the pontoon and add air until air releases from the pressure release valve. This will fully inflate the pontoon to the correct capacity. You may wish to remove the pressure release valve and reinsert the valve adapter into the valves to add a little more air to firm up the pontoons. **DO NOT OVER INFLATE!** – one or two additional pumps in each valve are enough. See **Photo #19**.

IMPORTANT NOTE! Heat and altitude will expand the air in the pontoons and could cause the seams to burst and the bladders to blow out. As temperature or altitude increases you must release air from the pontoons to compensate for the

expansion of air inside the bladders. **DO NOT** allow the boat to sit in the hot sun without releasing some air from each valve. Do this by simply pushing in on the spring loaded valve stem to release some air.

Step # 18 Insert 2-pc Rubber Oar Stops onto PVC Oar Sleeves on Oars by first loosening screws and slightly opening stops to fit over oar shaft and onto sleeves. **DO NOT** remove screws from nuts. See **Photo #21** Insert top half of oar through oar lock and attach bottom half (blade section) by depressing both push buttons and pushing together until buttons lock into holes. This locking system is a Water Skeeter design feature.

Now sit in boat and position oars as desired for rowing comfort. Move oar stops to rest against oarlocks and tighten screws to firmly secure in place onto oar stops.



Photo #20

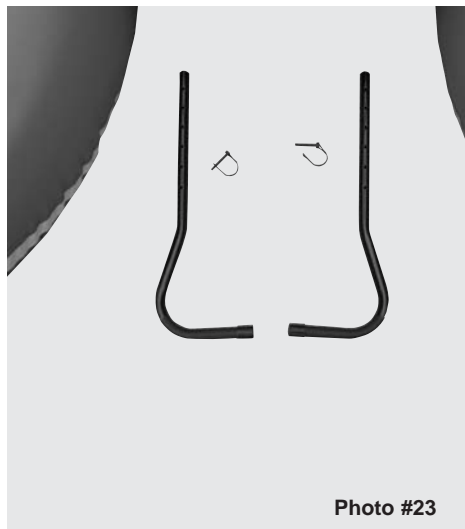


Photo #23

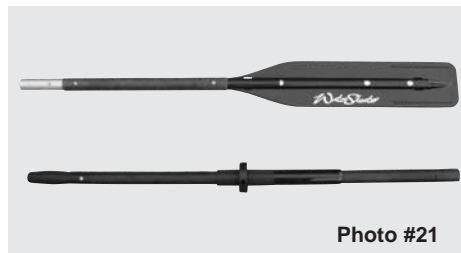


Photo #21

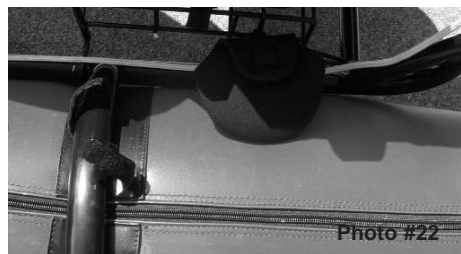


Photo #22

Step #19 Attach small Neoprene Reel Case to rear storage deck as shown in **Photo #22**. When carrying rod, reel can be inserted into padded Neoprene reel case for protection.

Your River Guide Pontoon Boat is now fully assembled for use with the standing platform. If you choose not to use the standing platform, simply remove it and insert the leg rests into the side tubes and lock in the desired position with the black lock pins (provided) See **Photo #23**

FEATURES UNIQUE TO WATER SKEETER PONTOON BOATS (Some of these features are patented!)

- a. Water Skeeter patented LOAD LEVELING SYSTEM- We believe that the frame should be affixed in the center of the pontoons at all times. Our unique strapping system and Patented Wrap Around Straps keep the frame securely in place in the center of the pontoons. You can adjust the leg rests; seat and anchor/motor mount forward and back to level the boat for excess weight in the front or back. When using a motor (with battery) or carrying excess gear you may wish to move the seat forward by simply reaching under the seat, pulling out on the "L" pins and sliding the seat forward. If further adjustment is necessary you can also move the entire seat and slide forward on the seat frame. To do this, remove the (4) seat screws, reposition forward and reinsert screws into forward set of holes in seat frame. Retighten screws. Leg rests can also be moved into a forward set of holes for leg comfort.
- b. Lock Swivel- You may wish to lock the swivel in place. It is sometimes easier to row the boat when the seat is locked in position. This is especially useful when navigating in rough water. To engage locking pin simply reach under seat in front and pull down on ring of spring loaded locking pin. Turn ring and pin will lock swivel in place. To disengage locking pin simply pull down on ring, turn seat slightly and lock pin again in release position.
- c. The Gear Bag has a 32 quart insulated cooler with insulated top on one side for keeping food cool on the bottom and hot on the top. There is a protected compartment on the other side for battery storage with opening for battery cables. The top has a large zippered storage compartment. There are four additional pockets for storing gear.
- d. The small padded Neoprene Reel Case can be attached onto the frame with a snap hook for holding and protecting reel when rod is not in use.
- e. The oversize storage box has large zip out fly compartment and soft foam fly patch for easy access.
- f. Included is a repair kit, which includes large patches of pontoon material, and bladder material and a 1oz. tube of Aquaseal repair cement for quick long lasting repairs – if the need should arise. Also included is a valve wrench for periodic tightening of the valves. A Pressure Release Valve is included to prevent over inflation of the pontoons.
- g. We included an extra pulley **Photo# 18 (7)**, which can be inserted into either oar mount (hole not being used by oar lock) for side anchoring boat in excessive wind or current.
- h. The (2) small Velcro straps included are for securing the oars onto the frame when carrying boat and when oars are not in use. See **Photo #20**
- i. The River Guide Boat comes complete with a High Volume Dual Action Pump and an oversize heavy duty vented 1200 denier Carry Bag with hand and shoulder straps for carrying and storage.

ADDITIONAL ACCESSORIES AVAILABLE FOR PURCHASE FOR THE RIVER GUIDE



- **Extender Tubes-** These 12" Extender Tubes will add more rear cargo space to your River Guide for carrying additional gear See Photo #28
- **Raised Rear Cargo Compartment** Can be purchased for additional cargo. Can be used in tandem with the rear storage compartment provided with River Guide. See Photo #17
- **Boat Wheel-** Can be attached to the anchor mount on your River Guide for getting boat to and from the water's edge.

**We supplied all this! You supply the water, the fun and experiences related to boating, fishing and the outdoors! Enjoy! Be safe! And have fun! Be sure to wear a Coast Guard approved life vest!!!
www.waterskeeter.com**

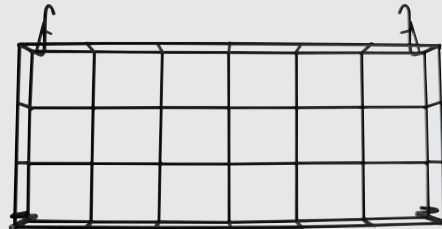
Sincerely,

The folks at Water Skeeter



Extender Tubes

Photo #24



Raised Rear Cargo Compartment

Photo #25



Boat Wheel

Photo #26